

EcoGun AL MAN 300

Spray gun airless manual

Manual airless spray guns are suitable for high pressure paint application. They can be used for anti corrosion protection coating of large steel structures or coating of wood structures. Functionality can be extended by using extensions which can help to paint areas which are difficult to reach. The modular design of these extensions allows to assemble different lengths and angles. Airless spray guns may be used with reversible nozzles that are available in a large number of sizes and angles.

CUSTOMER BENEFITS



[Perfectly balanced ergonomic shape of spray gun body that minimizes fatigue](#)

[Material passage ways made of stainless steel](#)

[External material supplying part allows application of heated paint](#)

[Wide range of available spray nozzles](#)

[Optional extensions available \(up to 900 mm\)](#)

[Easy cleaning and maintenance](#)

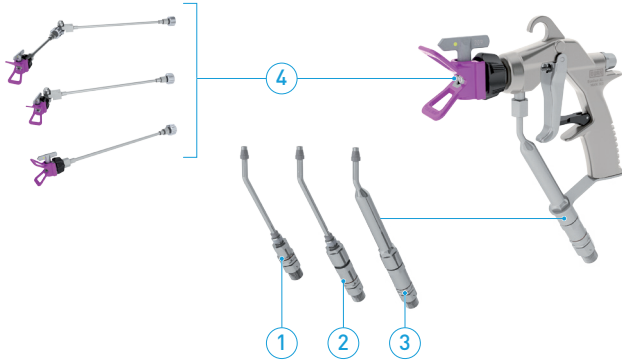
ATEX EX II 2G T60°C X



Technical datasheet

EcoGun AL MAN 300

TECHNICAL ILLUSTRATION



EcoGun AL MAN – Optional parts

- 1 Material inlet w/o filter, 2 Material inlet with short filter,
3 Material inlet with long filter, 4 Extensions - modular system

NOZZLE SELECTION

Spray Angle	Size [mm/inch]	Flow rate [l/min; gal/m]
10° / 20° / 30°	0,23/0,009	0,26/0,069
20° / 30° / 40°	0,28/0,011	0,40/0,106
30° / 40°	0,33/0,013	0,60/0,159
30° / 40° / 50°	0,38/0,015	0,80/0,212
40° / 50°	0,43/0,017	1,00/0,265

Further sizes available on webshop

SPECIFICATION

Weight	648 - 713 g
Material gun body	Alumium nickel-plated
Parts contacted by media	Stainless steel
Connector fluid	1/4" NPS (M)
Connector nozzle holder	11/16-16 UN
Fluid pressure max.	300,0 bar (4.350 psi)
Operating temperature max	60 °C (140 °F)
ATEX Marking	Ex II 2G T60°C X

Final weight depending on configuration

ORDER NUMBERS

Part number	Fluid pressure	Filter
N36240110	0,43mm 50°/517" reversible nozzle	no filter
N36240137	none (nozzles for sealing applications are available separately)	no filter

ACCESSORIES

Part number	Fluid pressure
M19140001	Extension pipe 150mm
M19140002	Extension pipe 300mm
M19140003	Extension pipe 450mm
M19140004	Extension pipe 600mm
M19140005	Extension pipe 900mm
M22150012	Rotary joint
M01010201	Direct joint
M60020001	Nozzle guard

Further accessories available on webshop