

EcoPump2 VP 80 120

High-pressure vertical piston pump

N24170035

The **EcoPump2 VP** is a pneumatically driven vertical piston pump for medium and high-pressure applications. Proven design and long term durability make these pumps a perfect choice for applications of paint, mastics and adhesives to furniture, steel structures or walls, car bodies and other objects.

The **EcoPump2 VP** is suitable for airless or air-assisted application and is available in numerous configurations with various air inlet modules, pressure relief valves, trolleys and adjacent devices.

CUSTOMER BENEFITS



- [Easy to maintain without special tools](#)
- [Balanced pressure variations](#)
- [Wide range of accessories available](#)
- [Material supplying parts in stainless steel](#)
- [Suitable for airless and air assisted applications](#)
- [Modular design](#)
- ATEX Ex II 2G Ex h IIB T6 Gb X

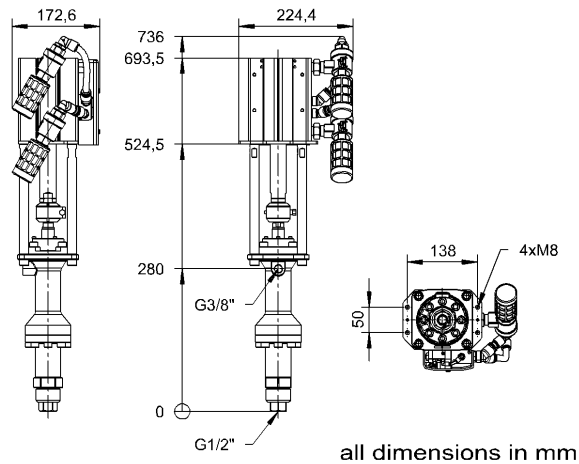


Technical Datasheet

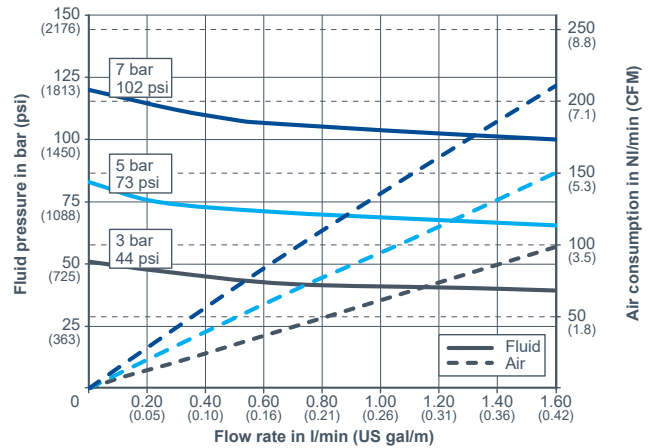
EcoPump2 VP 80 120

N24170035

DIMENSIONS



CHARACTERISTICS



Performance based on water at ambient temperature.

SPECIFICATION

Weight	19,5 kg
Dimensions	160 x 210 x 730
Ambient Temperature	15 - 40°C
Operating Temperature	10 - 60 °C (50 - 140 °F)
Humidity	35 - 90 %
Storage Temperature	10 - 40 °C (50 - 104 °F)
Transport Temperature	-30 - 60 °C (-22 - 140 °F)
Noise Level	< 80,0 dB(A)
EX-Classification	Ex II 2G Ex h IIB T6 Gb X
Max. Air Inlet Pressure	7,0 bar (87 psi)
Viscosity	3 - 5000 mPa.s
Material inlet	G1/2"
Material outlet	G3/8"
Stroke	90 mm
Ratio	17:1
Max. Outlet Pressure	120 bar (1740 psi)
Volume per Cycle	80 cc/cycle
Max. Cycles long term	20 1/min
Max. Cycles short term	40 1/min
Material housing	Stainless steel
Material packing	PE

Technical Datasheet

EcoPump2 VP 80 120

N24170035

ACCESSORIES

Part No.	Description
N24970047	Pump accessories ice reduction VP2 D100
N24970046	Pump accessories ice reduction VP2 D160
M63011594	Cover chamber cpl. VP 80

Part No.	Description
N08060008	Feed tank\125ml G1/8" angled
M19110457	CONSOLE EcoPump VP 205x194x150 VA5

SPARE PARTS

Part No.	Description
M54430043	5/2 WAY VALVE G3/8" 1,5-8BAR
M08090193	FLAT PACKING F. 5/2 Ventil M54430043
M54410049	3/2 WAY VALVE PNEUMATICAL MAGN.NÄHER-UNGS
N41220318	CYLINDER PNEUMATIC D100 HUB100 G3/8
N24960191	Sealing kit1 rod STANGE UMLAUF D24 VP80
N24960190	SEALING KIT KOLBEN D33,7 VP80 PE
N24960189	Sealing kit1 rod STANGE D24 VP80 PE
M66100076	Ball D14,288 SST
M66100029	BALL D19,05 EcoPump

Part No.	Description
M12190097	PISTON ROD D24 D33,7 VP80
M08031116	O-ring 20x2 FKM EXTREME
M08031115	O-ring 45x2 FKM EXTREME
M08031113	O-ring 29,82x2,62 FKM EXTREME
M08031078	O-ring 39,34x2,62 FKM EXTREME
M08031054	O-RING 42x2 80Sh FPM
M08030914	O-RING 45x1,5 80SHORE VITON
M08030349	O-RING 50x1,5 FKM